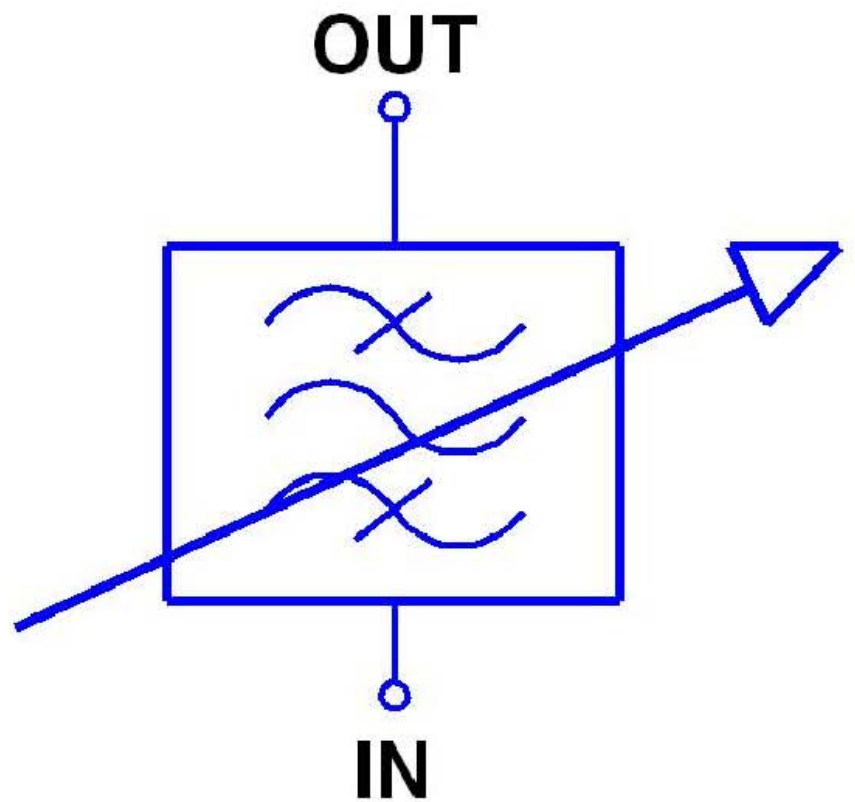
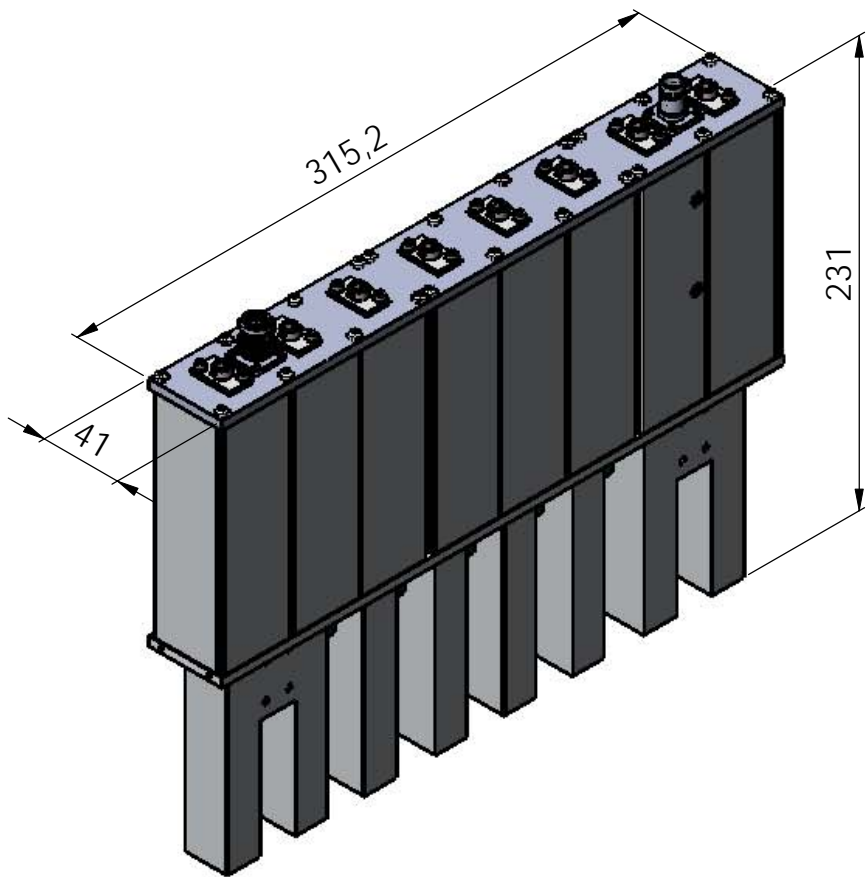




DATA - SHEET

TUNABLE BANDPASS FILTER (UHF 5 MHz)

E 10311



ELECTRICAL SPECIFICATION

| | | | |
|----------------------------------|---|-------------|-----------|
| Passband frequency | : | 227,5-397,5 | MHz |
| Tunable 3 dB BW | : | 5 | MHZ min |
| Insertion loss | : | 1,5 | dB max |
| Attenuation at $F_o \pm 3,5$ MHz | : | 10 | dB min |
| Attenuation at $F_o \pm 5,5$ MHz | : | 50 | " |
| Return loss | : | 18 | " |
| Nominal impedance | : | 50 | Ohm |
| RF power handling | : | 10 | WC.W. max |

MECHANICAL SPECIFICATION

| | | | |
|-------------------|---|----------------------|---------------------|
| Size | : | 315,2 x 41 x 231 mm. | connectors excluded |
| ANT connector | : | BNC - F | |
| IN " | : | BNC - M | |
| Surface finishing | : | Silver Plating | |
| Weight | : | 2,6 | Kg. |

ENVIRONMENTAL

| | | | |
|-----------------------|---|-------------|----|
| Operating temperature | : | - 10 / + 70 | °C |
| Storage temperature | : | - 20 / + 75 | °C |
| IP class protection | : | INDOOR | |

All figures can change without notice