

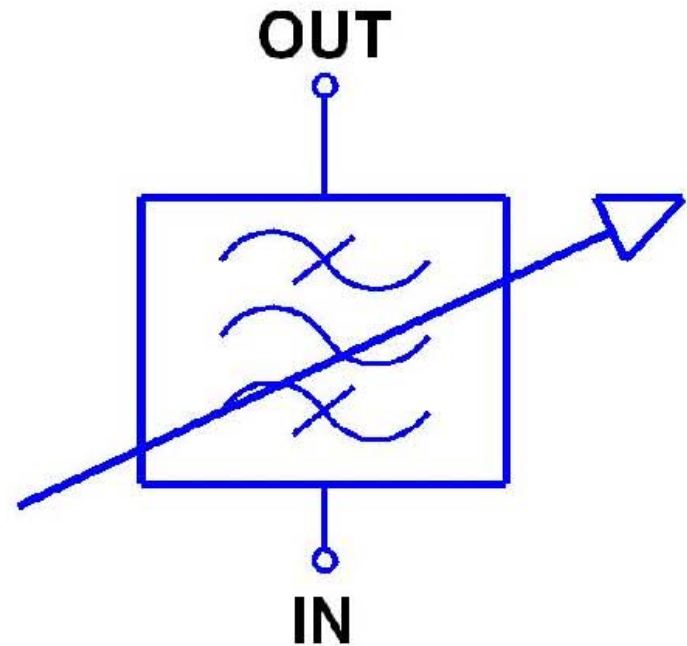
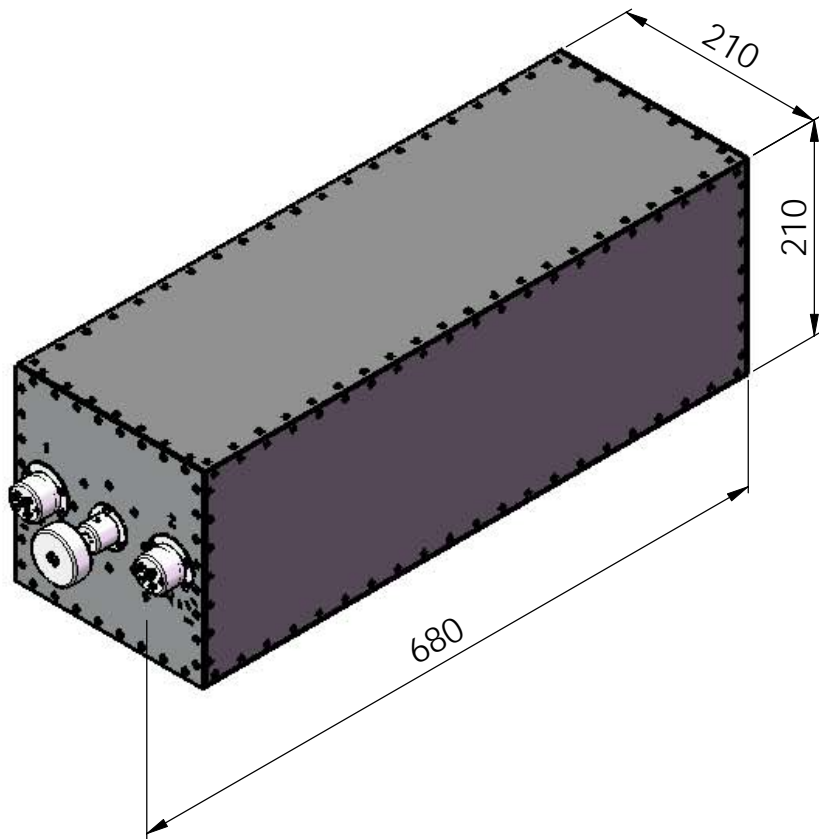


DATA - SHEET

Part number

TUNABLE VHF CAVITY BAND PASS FILTER (118 - 156 MHz)

E80148 0A



ELECTRICAL SPECIFICATION

Tuneable frequency range	: 118 - 156	MHz
IN / OUT impedance	: 50	Ohm
Insertion loss	: adjustable from 0,5 to 2	dB max
Return loss	: 18 dB min at 1 dB of ins. loss	
Attenuation	: 14 dB min at $F_o \pm 500$ KHz	
	(loop adjusted for 1 dB of ins. loss)	
RF power handling	: 100 Wcw - 400 Wpep at 2 dB loss	
IMD3 (@2x47 dBm carriers	: -130	dBc max
Thermal stability	: 3 ppm/°C max (from -10 to +55 °C - RH=40%)	

MECHANICAL SPECIFICATION

Size	: 210 x 210 x 680
IN / OUT connectors	: N Female
Surface finishing	: Matt black epoxy paint

ENVIRONMENTAL

Operating temperature range	: - 20 / + 60 °C
Storage " " "	: - 40 / + 80 °C up to 100% RH
Operating relative humidity	: 10% to 90% non condensing

All figures can change without notice