



GC-2115K868

LoRa | SigFox | EnOcean

- Dimensions : 208,3mm x 16mm
- Gain : 2.2 dBi Max
- Câble et connecteurs sur mesure à la demande



Ancienne référence : GC-205GP-868

SKU: GC-2115K868



Specifications

Electrical Specifications

Mobile (Cable 1)

Frequencies	ISM (868-875 MHz)
Impedance	50 Ohms
Polarization	Vertical
Gain*	2.2 dBi Max
Power Handling	50 W
VSWR*	<2:1

*Stated when measured with 0,3m of RG58

General Specifications

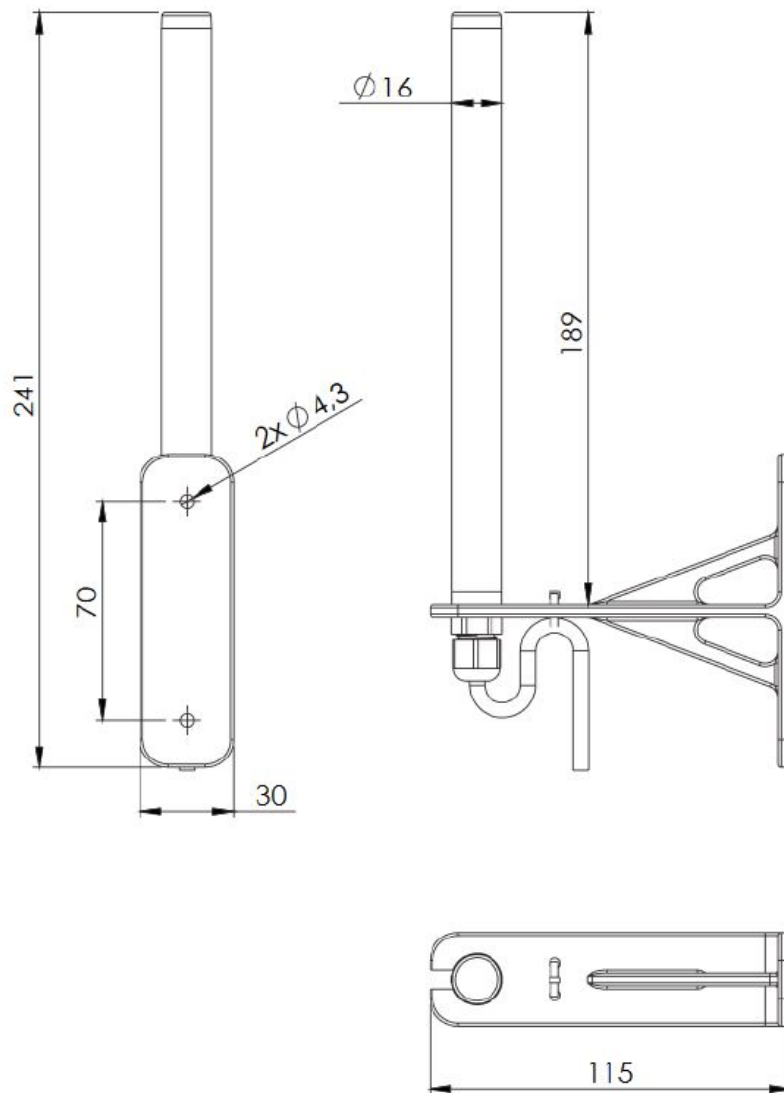
Operating temperature	-40°C to +85°C
-----------------------	----------------

Connection Specifications

Connector type	FME Male
Cable	RG58
Cable length	Upon request

Mechanical Specifications and Dimensions

Material	Radome: PC/ABS UV Stable / Bracket: PC/ABS UV Stable
Dimensions (mm)	208,3 x 16
Color	Black (for different colors please ask our sales team)



MEASUREMENT

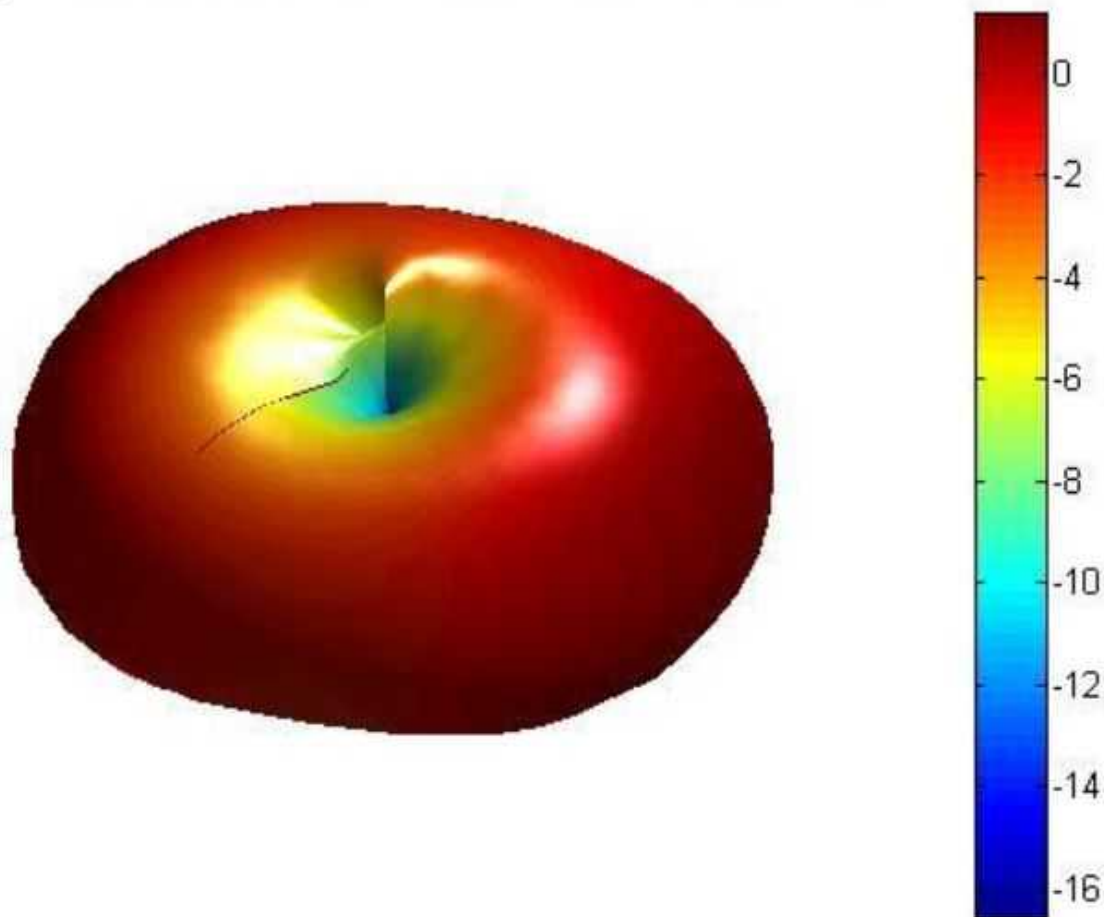
VSWR (ISM 868MHz)



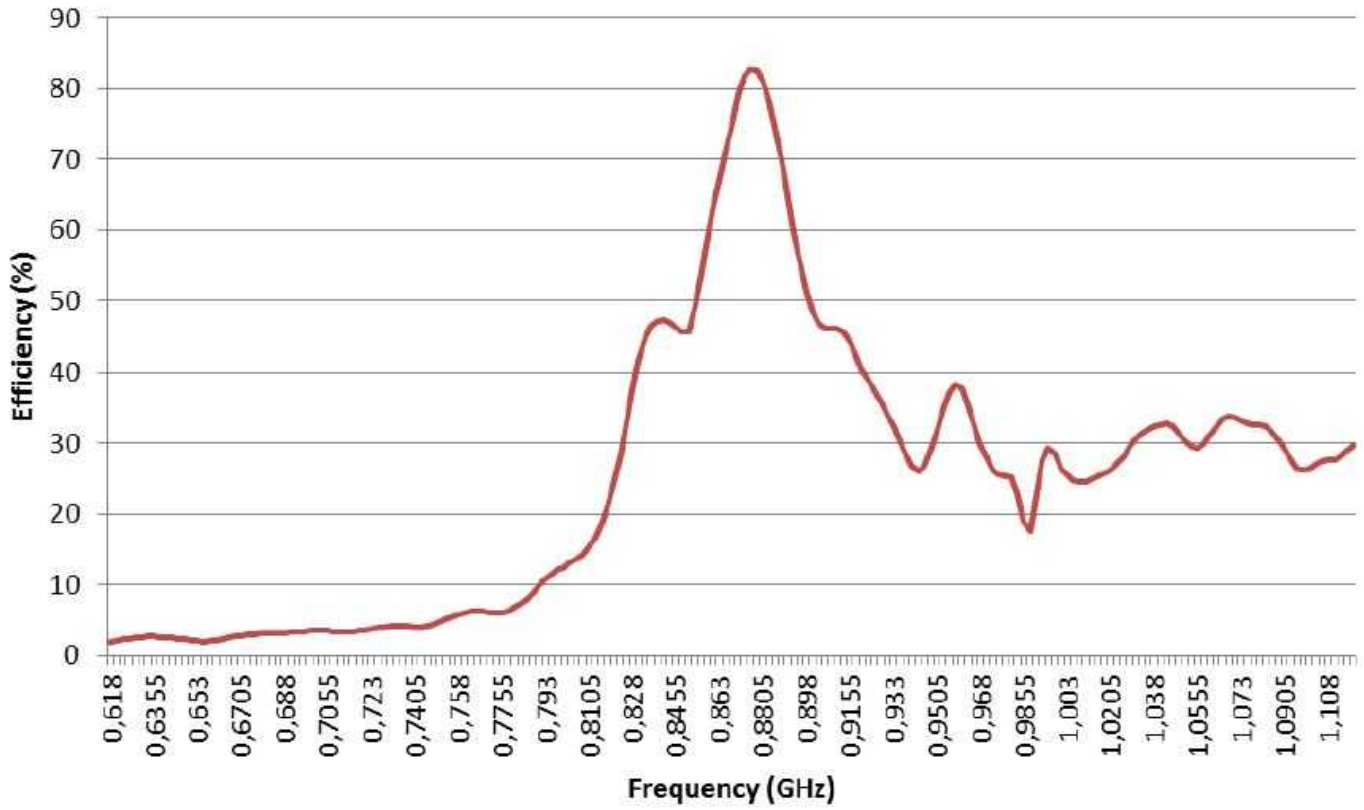
Log Mag (ISM 868MHz)



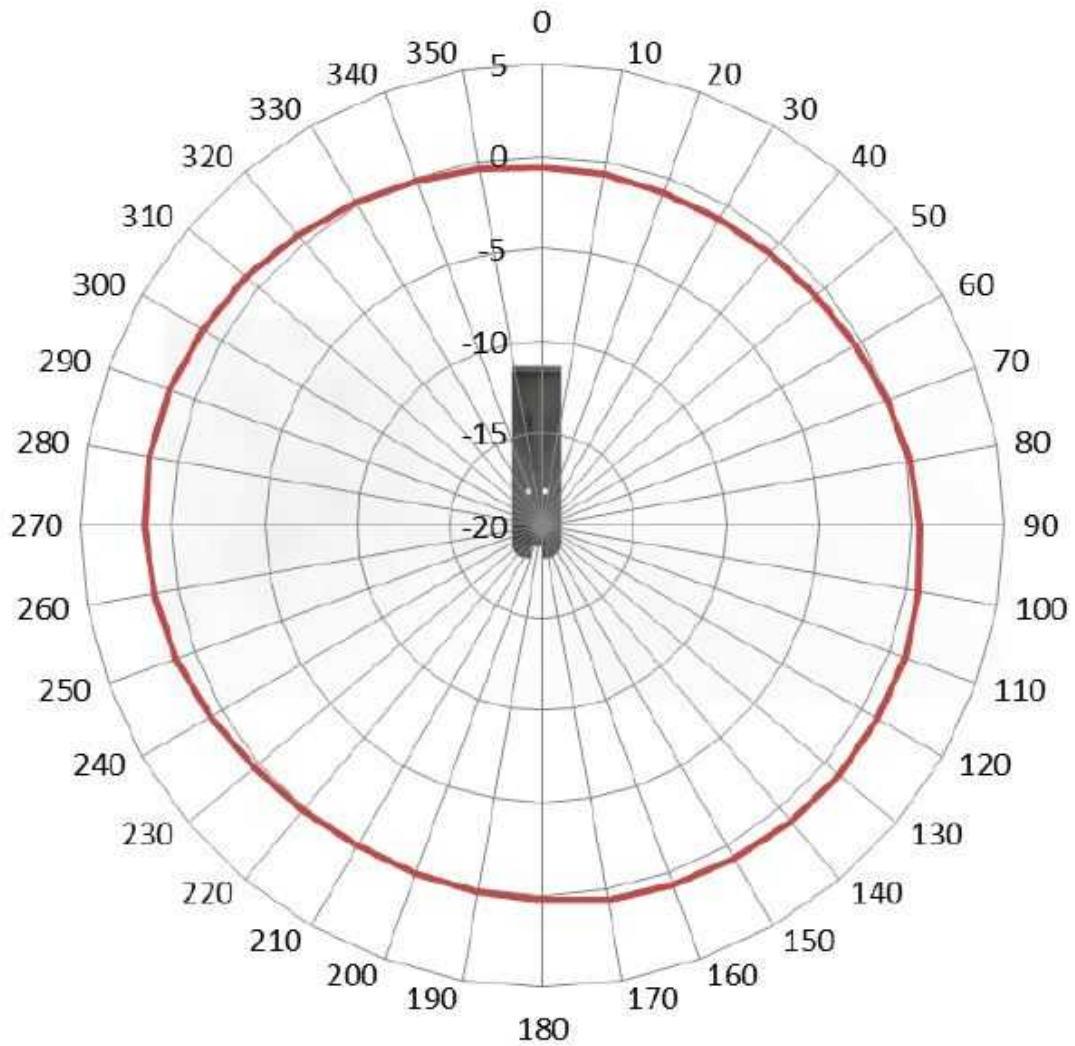
3D radiation pattern
Freq = 0.8680GHz Az= 45 EL= 45



Efficiency



Azimuth cut



Elevation

