



GC-2015B433

Tetra 350/500MHz

- Dimensions : 379mm x 155mm x 36mm
- Gain : 2.4dBi Max
- Câble et connecteurs sur mesure à la demande

Ancienne référence : GC-240GP

SKU: GC-2015B433



Electrical Specification

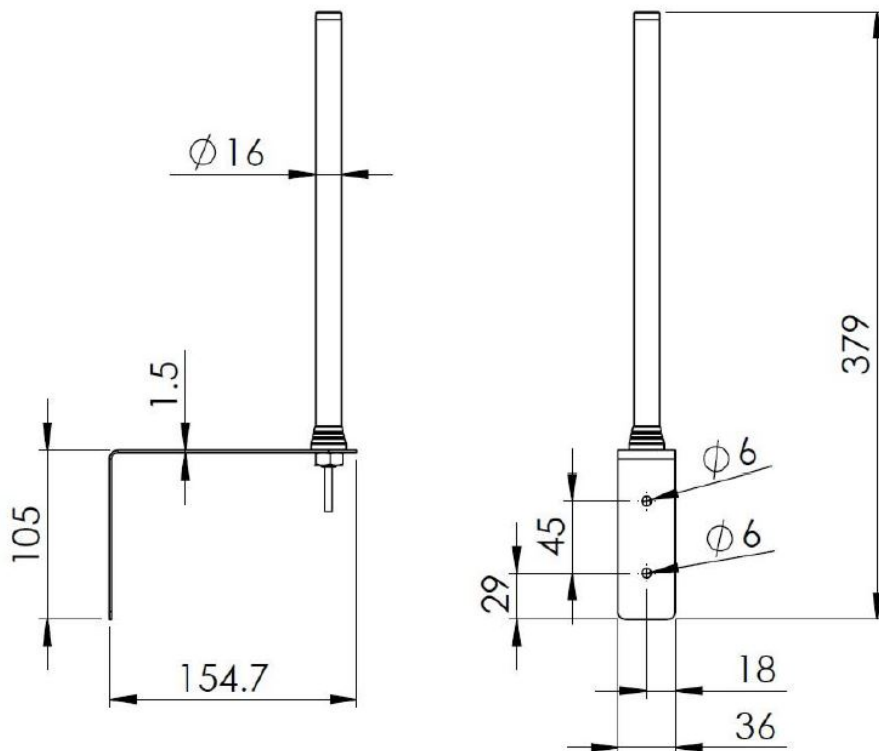
Frequency	Tetra (380-500MHz)
Impedance	50 Ohms
Polarization	Vertical
Gain	2.14 dBi Max
VSWR	<2:1
Working Temperature	-40°C to +85°C

Connection Specification

Connector Type	SMA male
Cable	RG58
Cable length	500 cm

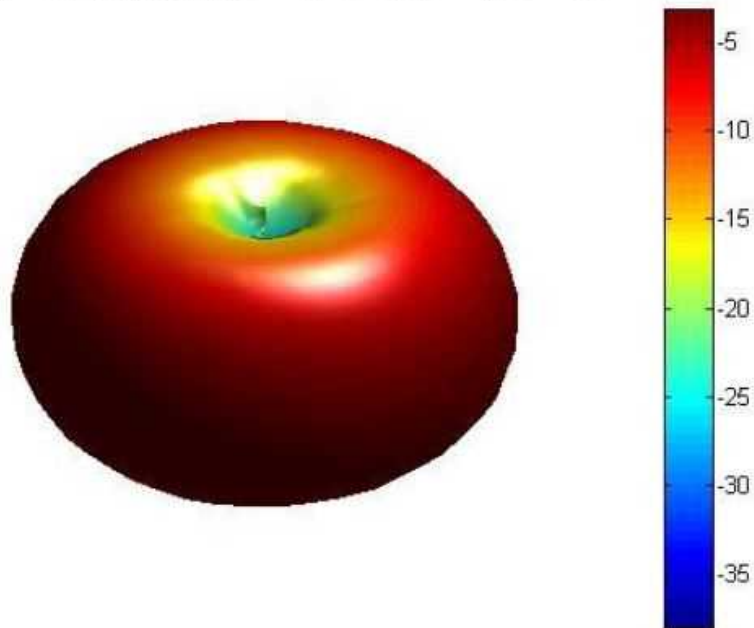
Mechanical Specifications and dimensions

Materia	ABS
Max dimensions	379mm x 155mm x 36mm
Colour	Black

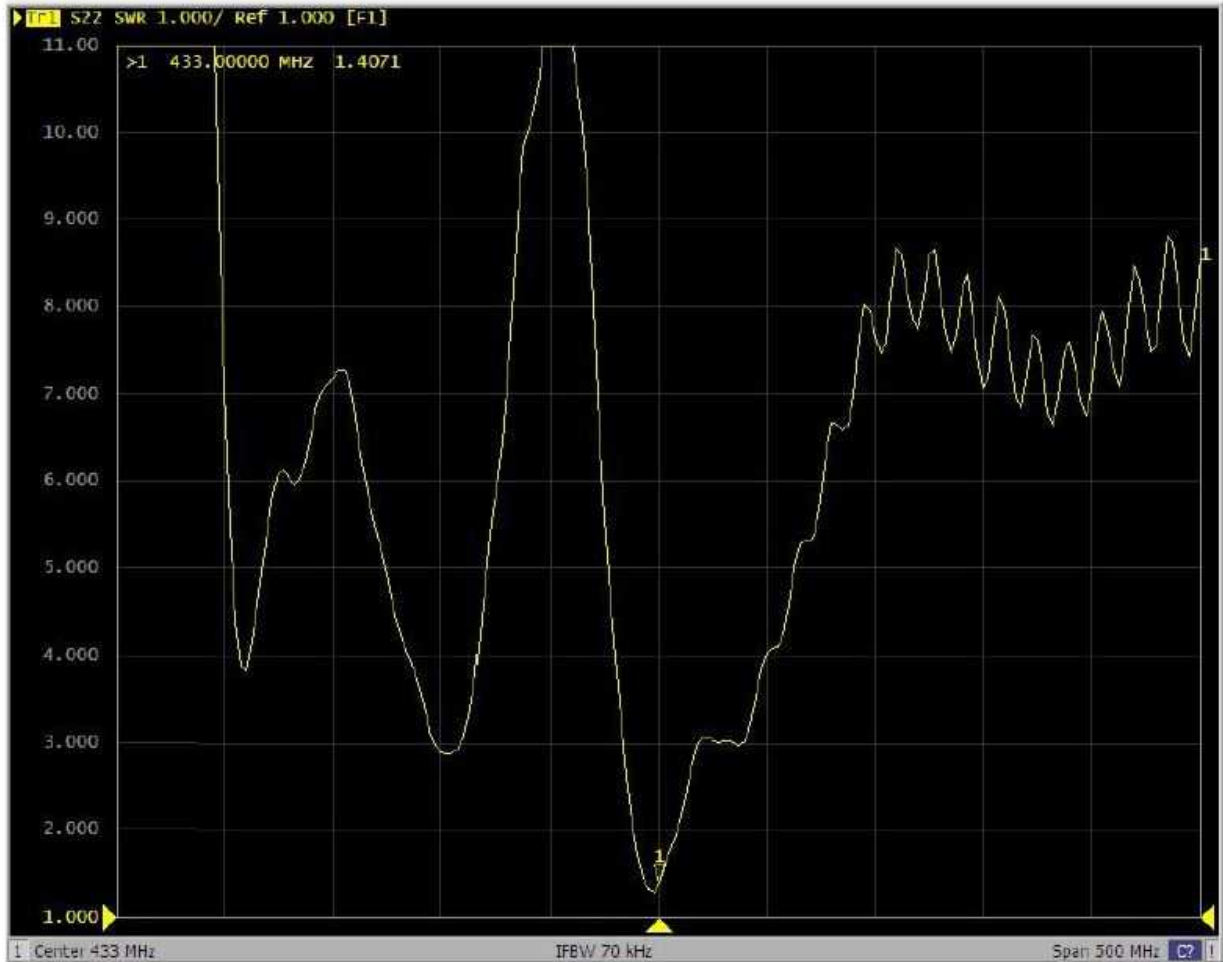


MEASUREMENT

433MHz
Freq = 0.4330GHz Az= 45 EL= 45

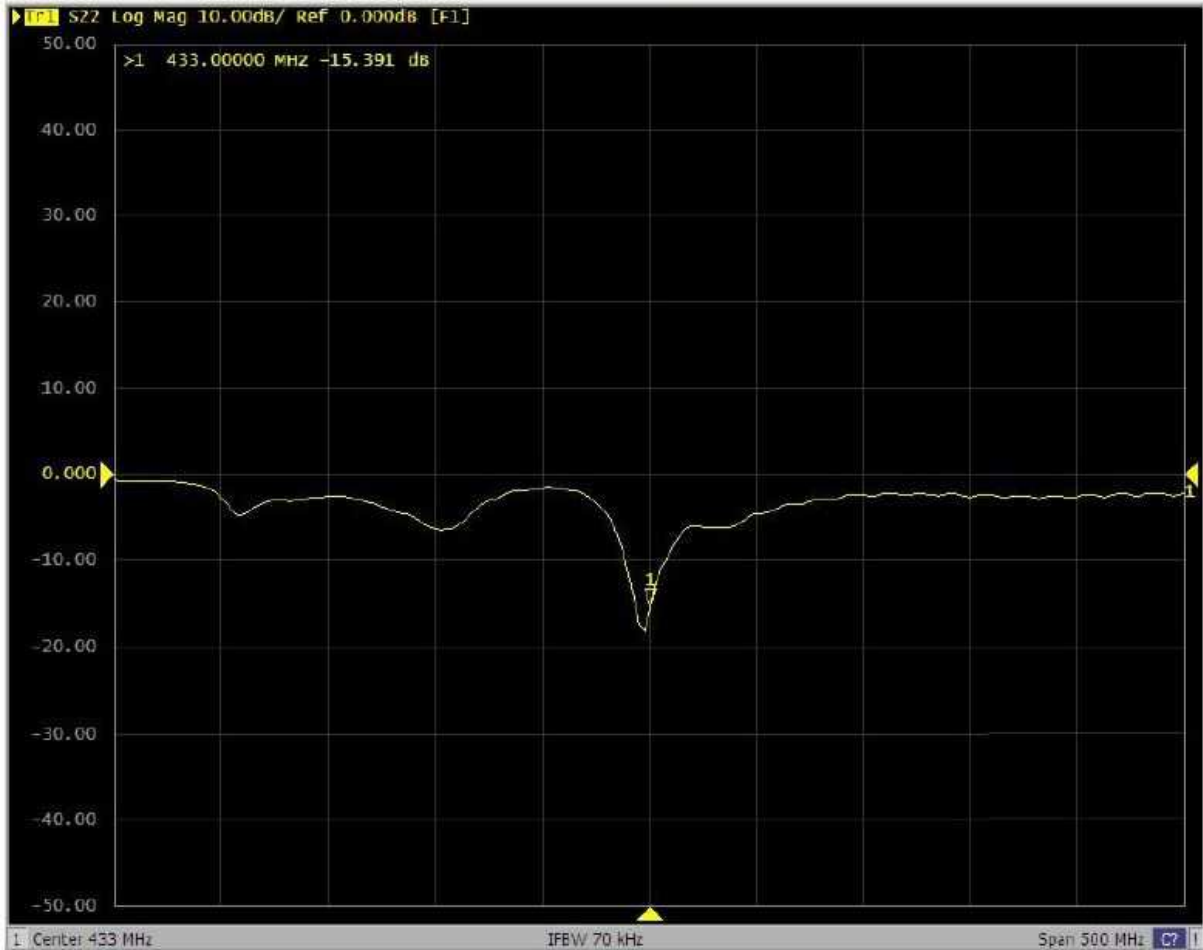


VSWR



Tested with 50cm RG174

Log Mag



Tested with 50cm RG174