



## GC-7110B

Tetra 380/470MHz

- Dimensions : 96mm × 130mm
- Gain : ~2.5dBi
- Câble et connecteurs sur mesure à la demande

---

Ancienne référence : GC-7010B

---

**SKU: GC-7110B**



## Antenna and electrical specifications

Parameters	TETRA Antenna
Standards	TETRA
Band (MHz)	400
Frequency (MHz)	380-470
Return Loss (dB)	~14.7
VSWR	~1.5:1
Efficiency (%)	~73
Peak Gain (dBi)	~2.5
Average Gain (dB)	~-1.4
Impedance (Ohm)	50
Polarisation	Linear
Radiation Pattern	Omni-Directional
Max. Input Power (W)	50
Connector Type	N-Female Standard

### Antenna Measurement Conditions:

Free Space

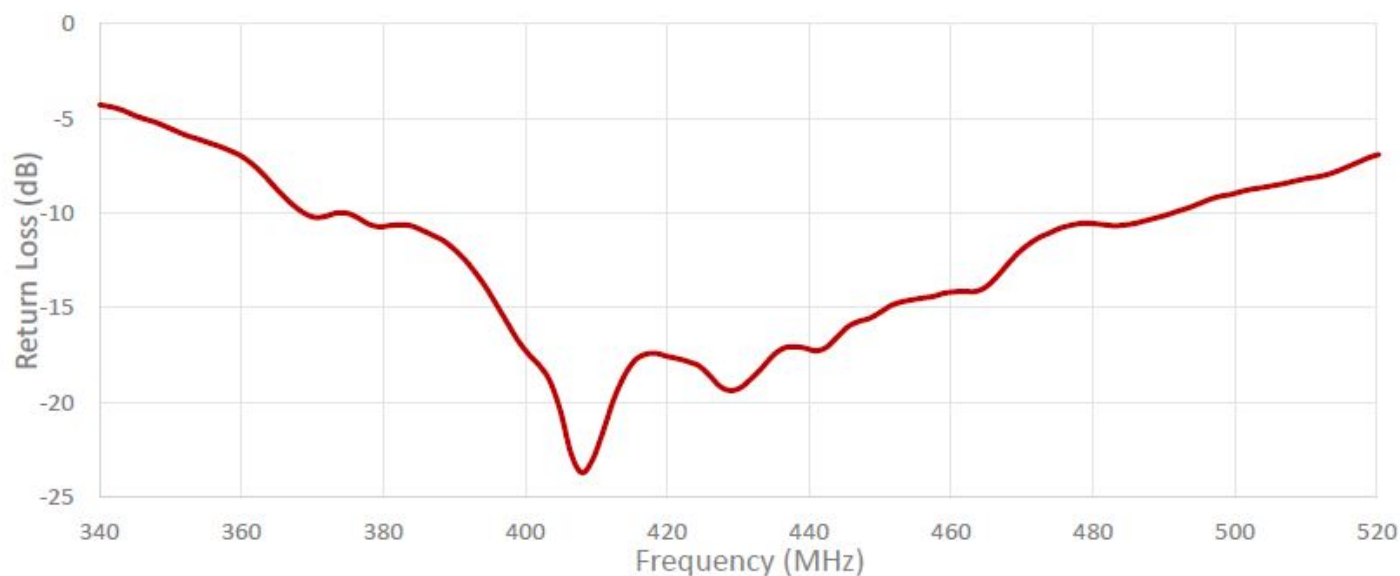
Mounted on Ground Plane of 60 x 60 cm

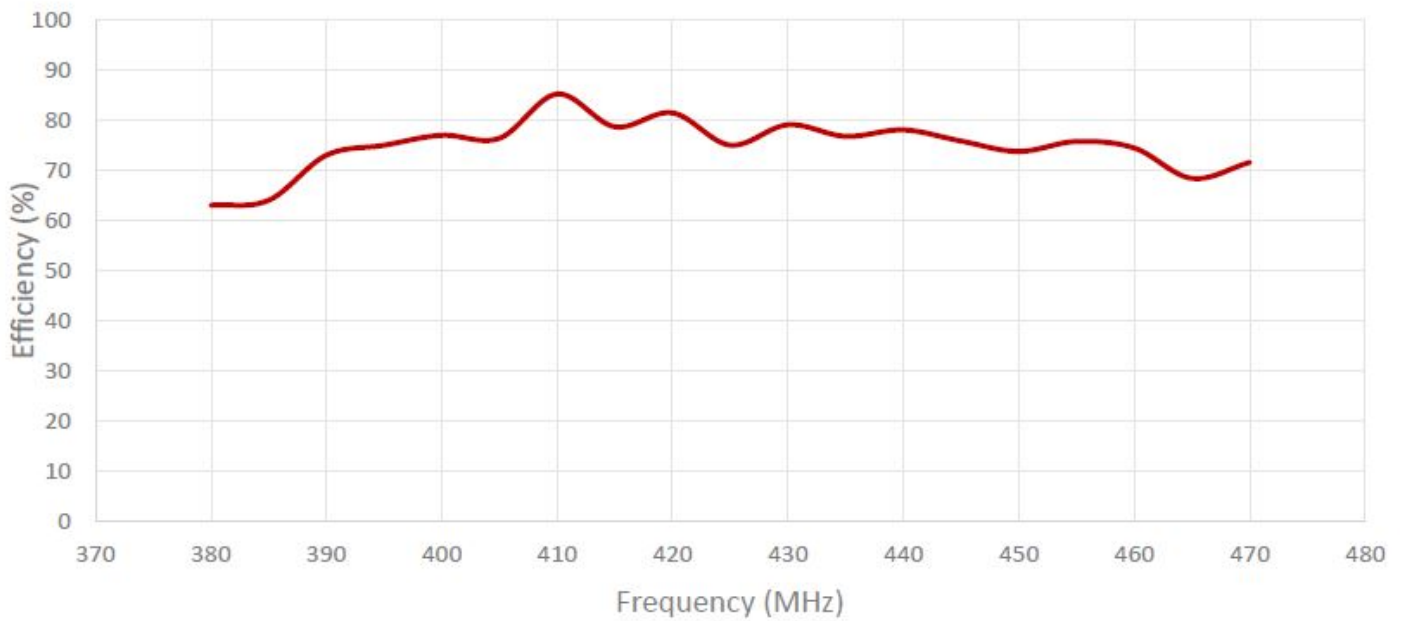
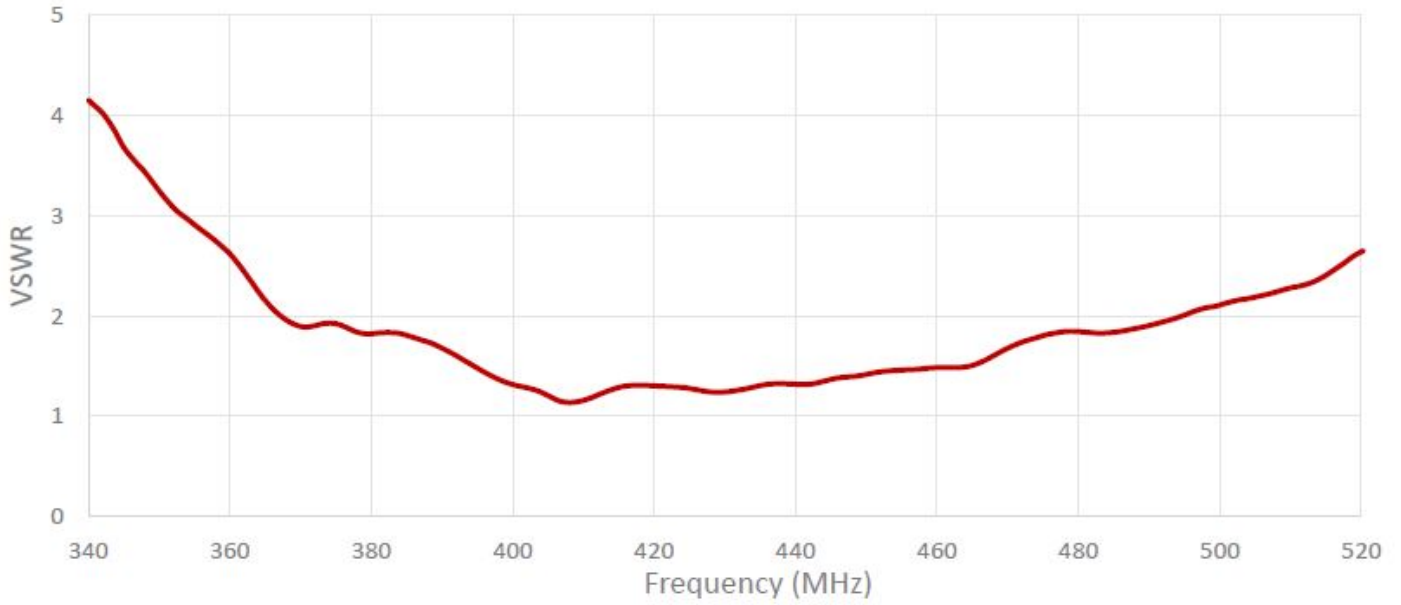
Measured in Certified CTIA 3D Anechoic Chamber

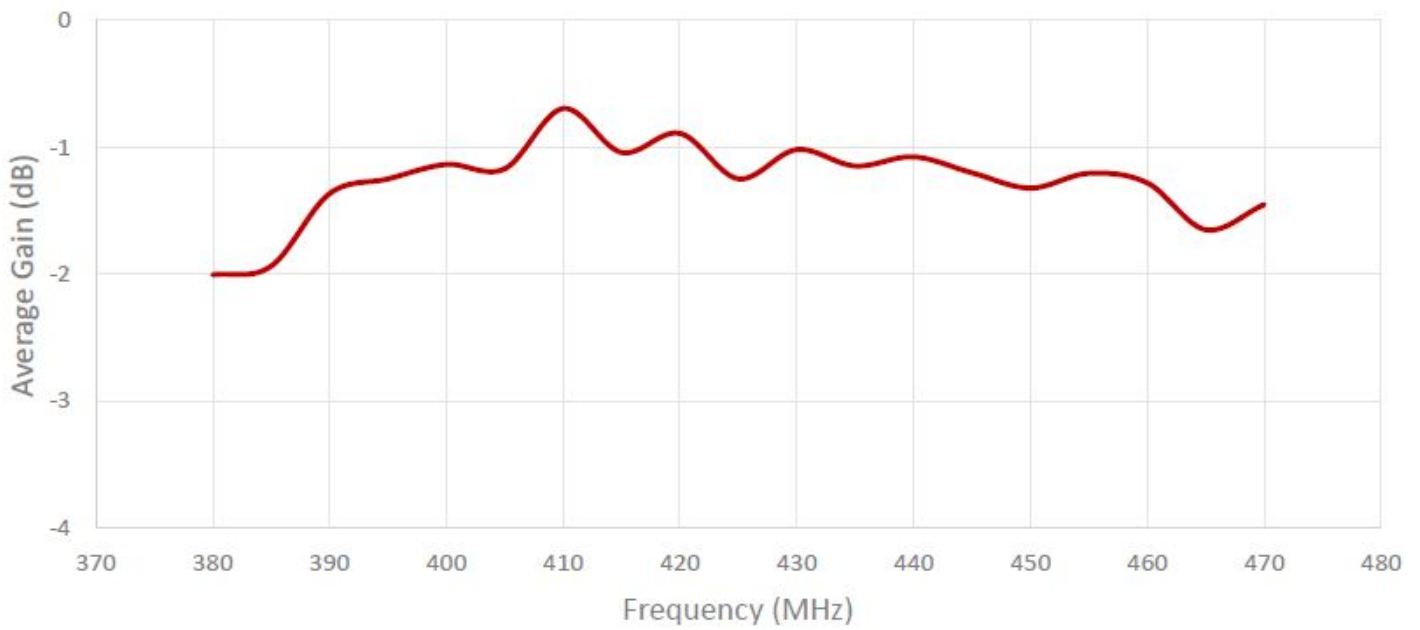
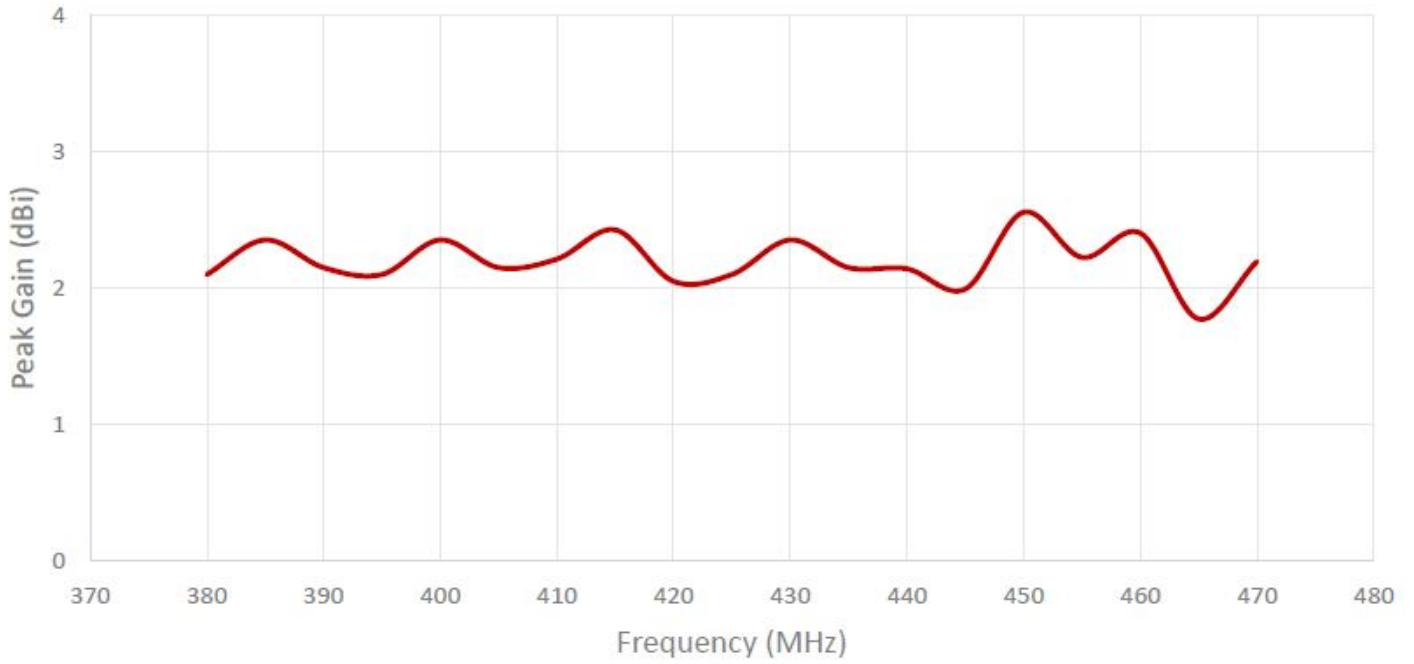
## Mechanical and environmental specifications

Specifications	GC-7110B
Mounting Type	Screw Mount
Dimensions (mm)	Ø 96 × 130
Radome	ASA UV Stable
Radome color	Black, White
Antenna Base	Alluminium alloy
Operating Temperature (C)	-40 to +85
Storage Temperature (C)	-40 to +85
Substance Compliance	RoHS
Certificates	IP67, IP69, IK09

## Antenna parameters

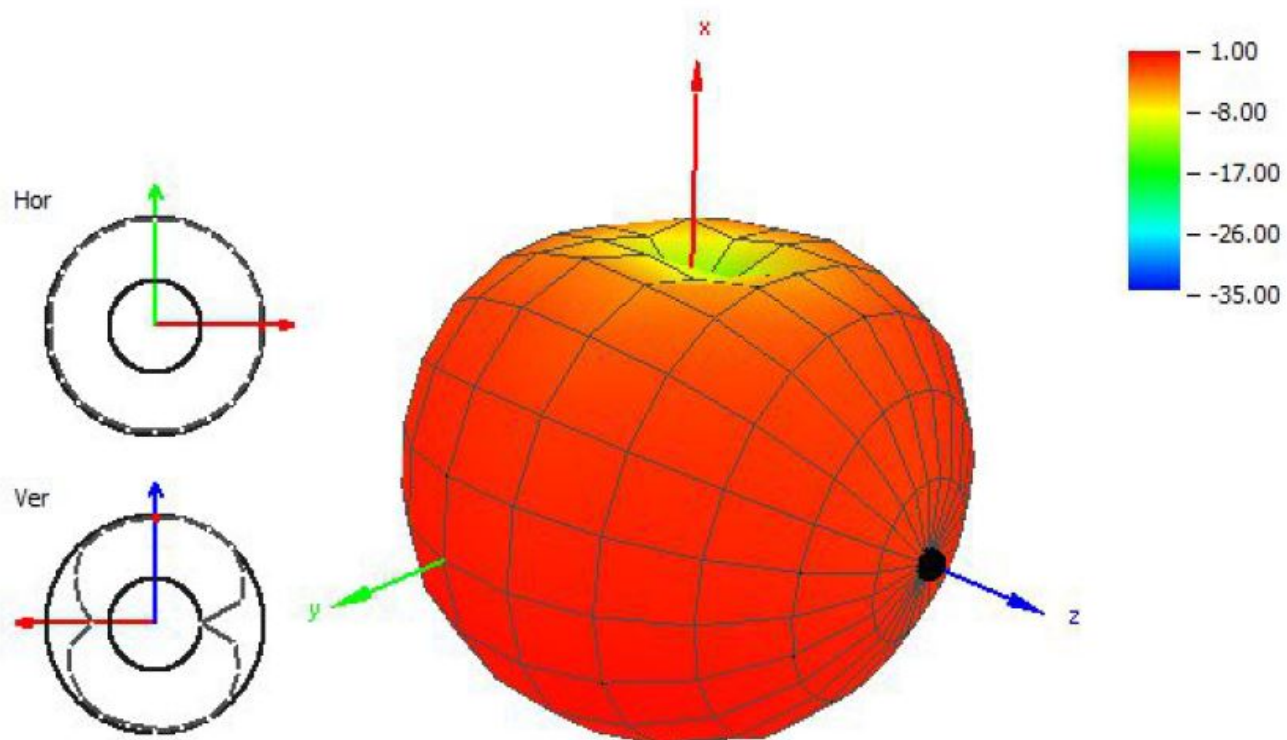






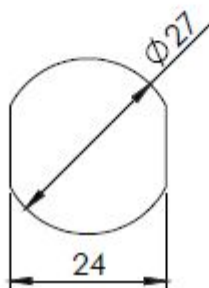
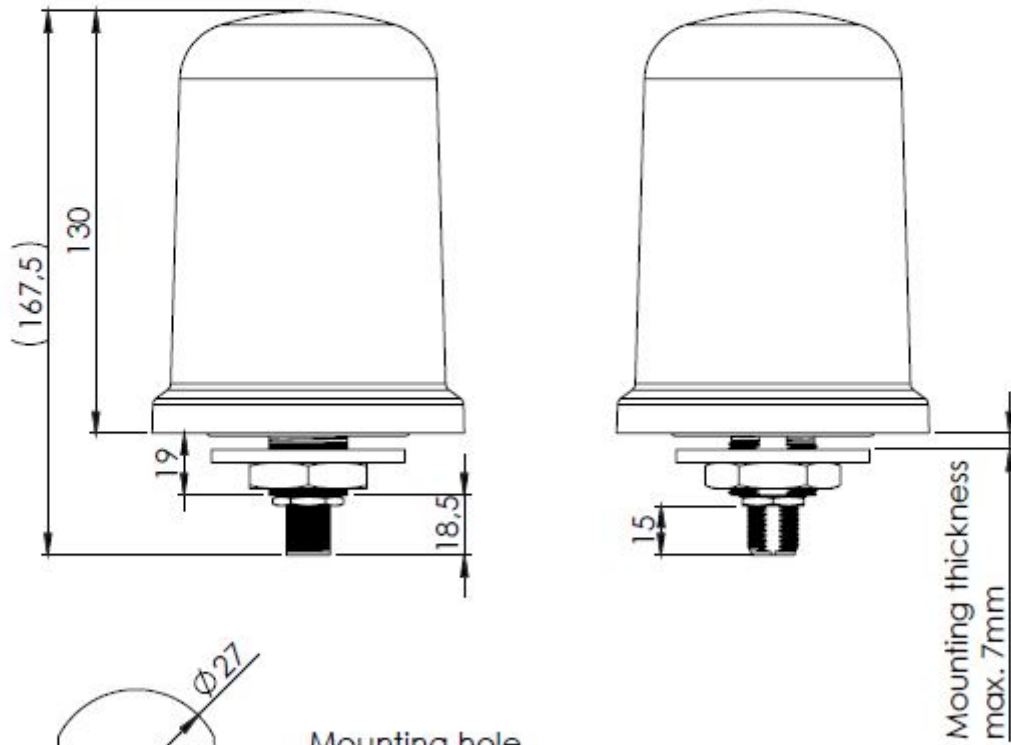
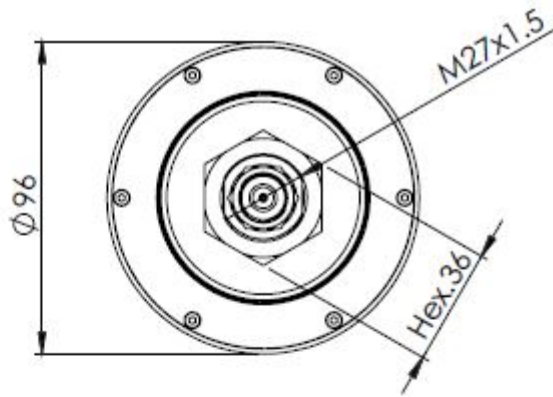


Radiation pattern reference



425 MHz Radiation pattern





Mounting hole  
Scale 1:1

Recommended fixing torque: 15 Nm