



GC-MBM28

4G-LTE | GPS | WIFI

- Dimensions : 140mm x 87.5mm
- Gain : 2 dBi Max
- Câble et connecteurs sur mesure à la demande



SKU: GC-MBM28

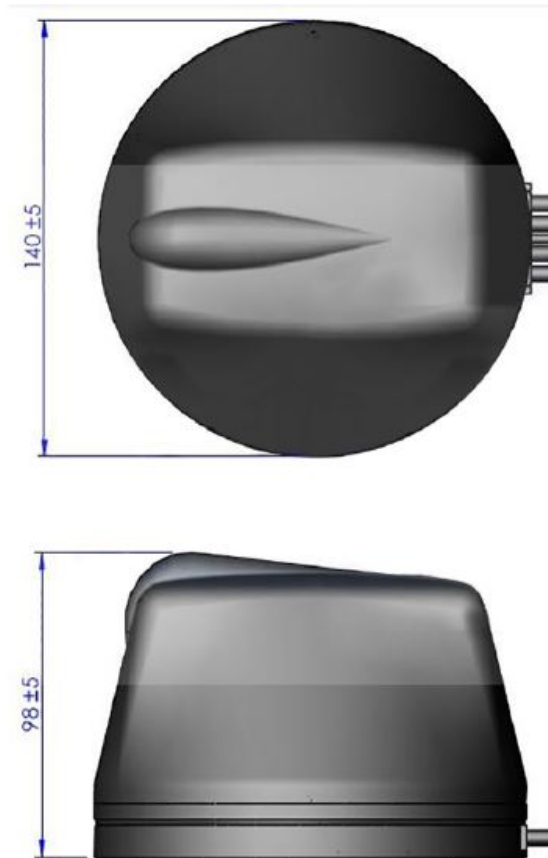


Specifications

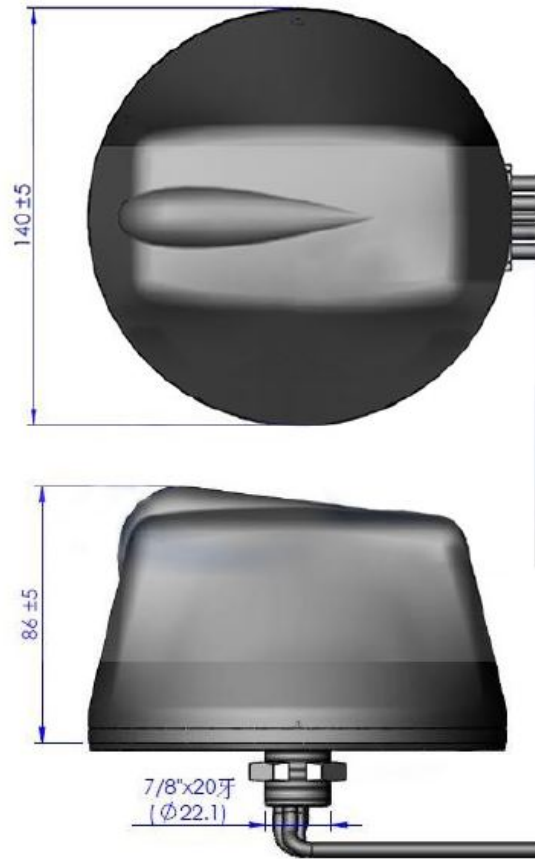
Frequency	4G-LTE 699-960 / 1710-2170 MHz / 2500-2690 MHz WIFI : 2.4~5.8 GHz GPS : 1575.42 MHz
Impedance	50 Ohms
Polarization	Linear
Gain	2 dBi Max
VSWR	<1.5:1
Power Handling	50W
Cable	RG174 / RG58 /LMR1995
Connector	SMA / FME : FAKRA...
Dimensions	140x87.5 mm (DiamxH)
Weight	TBD (depends on cable length)
Mounting	Roof type
Working temperature	-30°C to +85°C

Mounting

Magnet Type

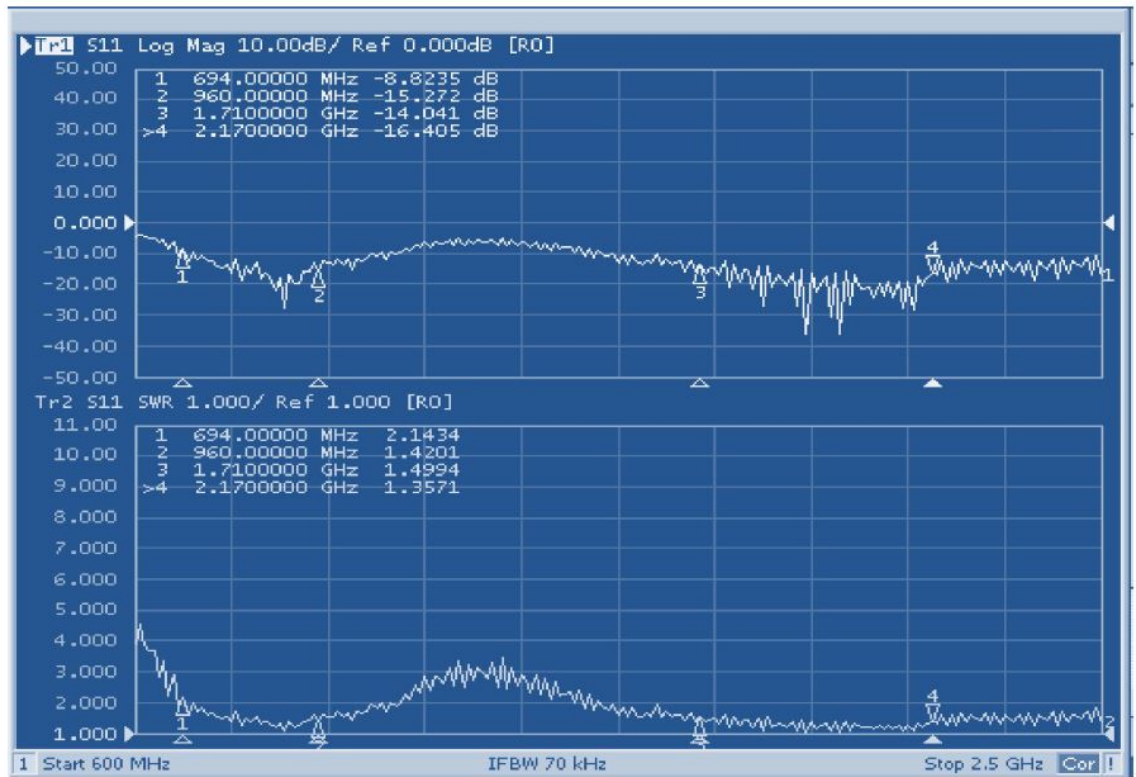


Roof Mount Type

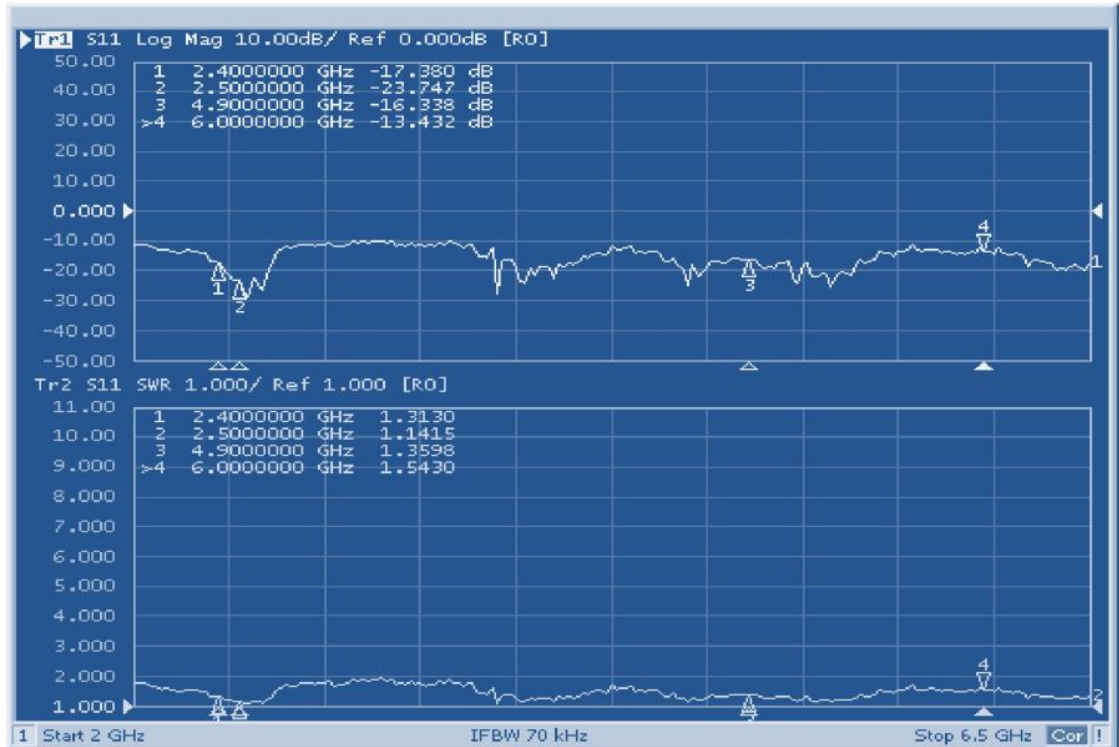


Measurement

LTE



WIFI



GPS

